

# INTELLIGENT TILE BOND STRENGTH TESTER 6000C

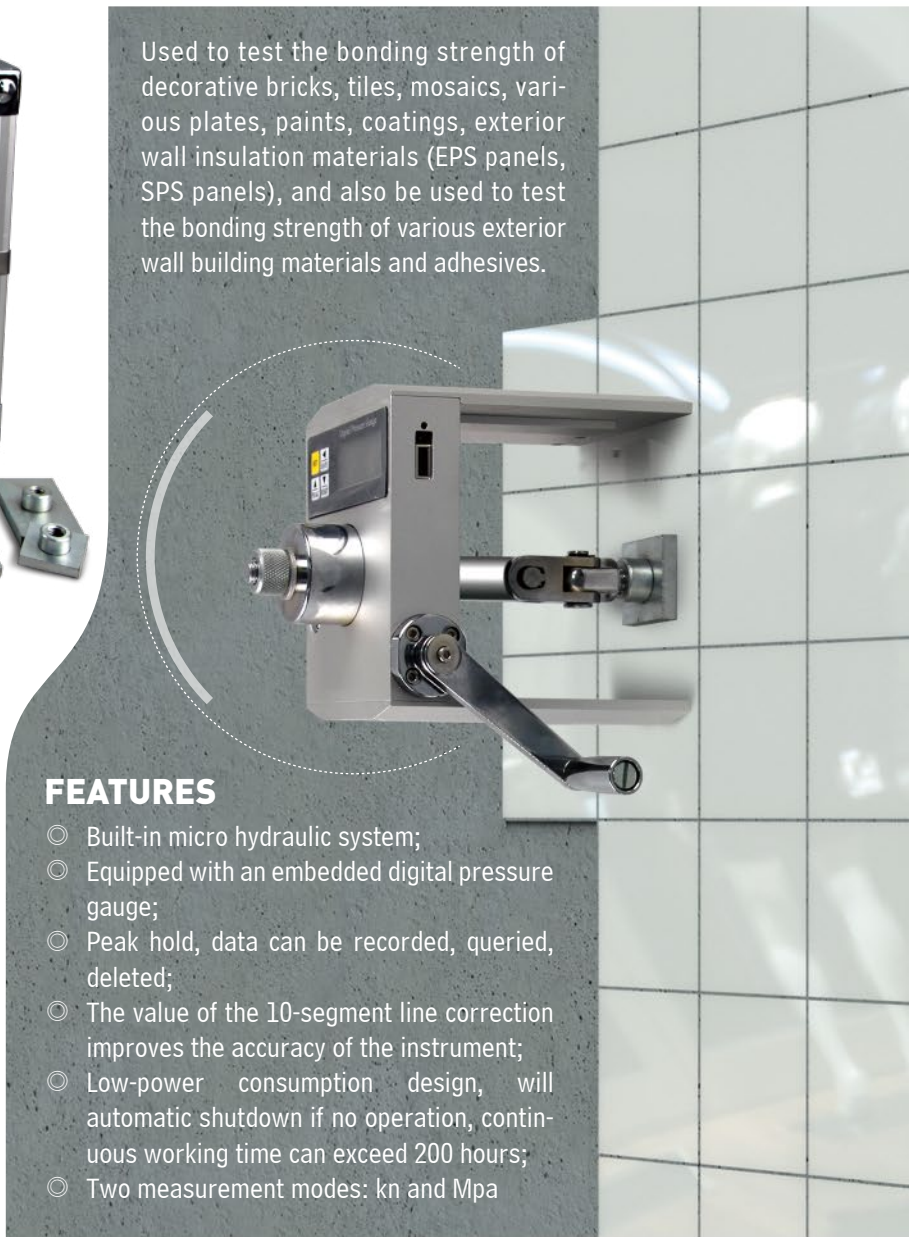


## TECHNICAL SPECIFICATIONS

|                                |                 |
|--------------------------------|-----------------|
| Measuring range                | 0~10KN          |
| Display                        | Mpa and Kn      |
| Accuracy                       | 0.001KN         |
| Hollow cylinder stroke         | 10mm            |
| Instrument structure           | One-piece       |
| Main material                  | Alloy material  |
| Body weight                    | 2.0kg           |
| Configurator display mode      | Digital         |
| Data store                     | 200 items       |
| Data check and delete function | Yes             |
| Peak holding function          | Yes             |
| LCD lighting function          | Yes             |
| Battery                        | Lithium battery |
| Polyline correction            | 10 section      |
| USB charging                   | Yes             |



Used to test the bonding strength of decorative bricks, tiles, mosaics, various plates, paints, coatings, exterior wall insulation materials (EPS panels, SPS panels), and also be used to test the bonding strength of various exterior wall building materials and adhesives.



## FEATURES

- ◎ Built-in micro hydraulic system;
- ◎ Equipped with an embedded digital pressure gauge;
- ◎ Peak hold, data can be recorded, queried, deleted;
- ◎ The value of the 10-segment line correction improves the accuracy of the instrument;
- ◎ Low-power consumption design, will automatic shutdown if no operation, continuous working time can exceed 200 hours;
- ◎ Two measurement modes: kn and Mpa

## PACKING LIST

|  |  |
|--|--|
| Main frame                               | 1 pc   |
| Digital display pressure gauge(built-in) | 1 pc   |
| Charger                                  | 1 pc   |
| Aluminum alloy packing box               | 1 pc   |
| Specimen 95*45mm/40*40mm                 | each 3pcs  |
| AB glue                                  | 1 set(if ship by air or Express we will take it out) |
| Operating manual                         | 1pc  |
| Quality certificate                      | 1pc  |
| Packing list                             | 1pc  |